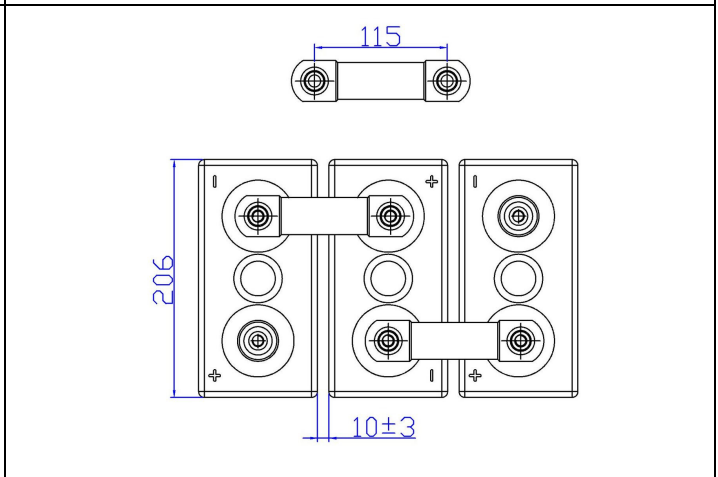
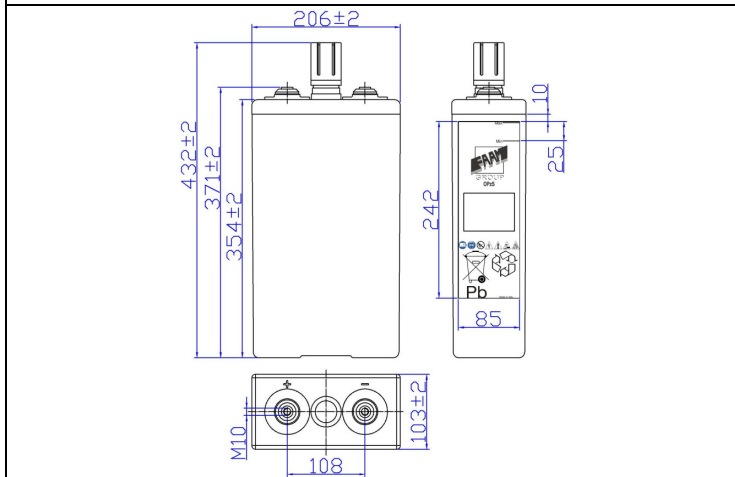




3STA55 – 3OPzS150

DIMENSIONAL FEATURES

Nominal Voltage		2V		Stationary Cell flooded (OPzS) Box material: SAN transparent Lid material: ABS grey color Positive tubular and Negative flat plates Separators with low electric resistance Copper Connection (Cu) section: 3x30mm Standards: CEI EN 60896 Part 11 EN 50272-2
Nominal Capacity (10 hours)		150Ah (1,80Vfin) a 20°C		
Dimensions	Lenght	103 ±2mm		
	Width	206 ±2mm		
	Box Height	354 ±2mm		
	Total Height	432 ±2mm		
Technical Drawing n°4 00395-0		Weight 16,3 Kg ± 5%		
Screw Terminals: M10 female		Material: brass with protective treatment		



ELECTRIC FEATURES

Characteristics			Charging curves @ 20°C (77 °F)	
Capacity	10 hours (1,80Vfin)	150,00 Ah		
	8 hours (1,75Vfin)	147,76 Ah		
	3 hours (1,70Vfin)	123,27 Ah		
	1 hour (1,65Vfin)	84,85 Ah		
Temperature influence on the capacity (10h)	40°C	102%		
	20°C	100%		
	0° C	85%		
Internal Resistance Ri: 0,89 mΩ ±10%		SCC I _{sc} : 2250 A ±10%		
Charging Voltage	Standby use	Max charging current 30A Floating Voltage 2,23V at 20°C Boosting Voltage 2,40V at 20°C Temperature Coefficient -20 mV/°C		

Discharge Table at constant Current (Amp) and constant Power (Watt/cell) at 20°C

Time		30min	60min	90min	2hours	3hours	5hours	8hours	10hours	100hours	120hours
1.65V	A	130,07	84,85	66,06	55,36	42,64	28,22	18,90	15,75	2,04	1,73
	W	240,22	159,04	121,89	102,96	77,26	53,83	38,45	31,19	4,05	3,43
1.70V	A	123,06	82,32	64,76	54,27	41,09	27,96	18,72	15,60	2,06	1,75
	W	229,05	153,70	117,61	99,47	75,09	53,58	38,27	30,99	4,03	3,42
1.80V	A	100,405	72,53	59,25	49,65	38,76	26,63	18,00	15,00	1,98	1,68
	W	186,22	133,65	106,92	91,93	70,24	50,79	36,17	29,70	3,92	3,32